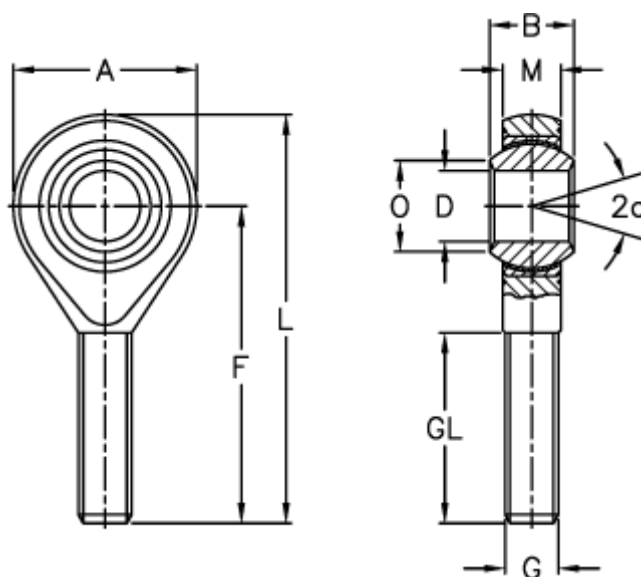


Article number: 03010005

Description: Fluro Rod End GASW 5
Zinc Plated

Measures



A	= 18	L	= 42
a (degrees)	= 13	M	= 6
B	= 8	O	= 7.7
D	= 5	Permissible rpm	= 600
Dynamic load C (kN)	= 7.5	Static load C0 (kN)	= 4.3
F	= 33	Weight (g)	= 13
g	= M5		
GL	= 20		